

# PLASTIKOLOR

## PLASTIC SPIRAL SPOOLS





BINDING EXPERTS SINCE 1987

# COLORES DISPONIBLES

## STANDARD COLORS

CLEAR



WHITE



BLACK



RECYCLING / RECYKOIL



## RAINBOW COLORS

YELLOW



GOLDEN YELLOW



TAN



COLLEGE ORANGE



LIGHT BROWN



BURGUNDY



RED



VIOLET



FUSCHIA



PINK



PURPLE



NAVY



DARK BLUE



REFLEX BLUE



BLUE



BLUE SKY



TEAL



APPLE GREEN



GREEN



FOREST GREEN



DARK GREEN



WEDGEWOOD BLUE



GREY





BINDING EXPERTS SINCE 1987

# COLORES DISPONIBLES

## PASTEL COLORS

PASTEL YELLOW



IVORY



PASTEL ORANGE



PASTEL PINK



LILAC



PASTEL BLUE



IRIS BLUE



CANDY PINK



TURQUOISE



MINT GREEN



PASTEL GREEN



## NEON COLORS

NEON AMBER



NEON ORANGE



TANGERINE



NEON RED



NEON YELLOW



NEON GREEN



NEON BLUE



NEON PURPLE



NEON PINK



## METALLIC COLORS

GOLD



SILVER



PEARL



AMBER



RUBY



QUARTZ



AMETHIST



SAPPHIRE (BLUE OYSTER)



AQUAMARINE



JADE

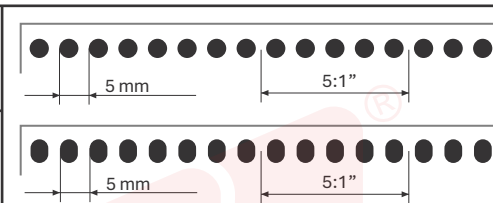
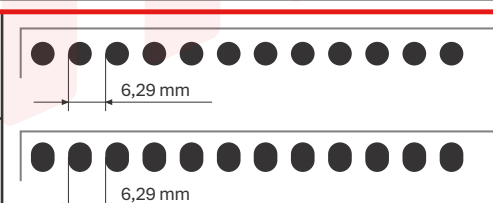
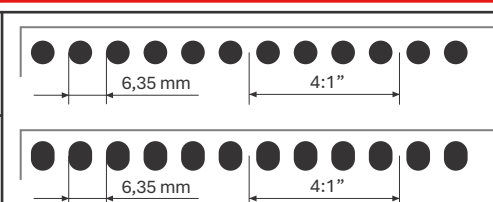


EMERALD



# PERFORATION PITCHES

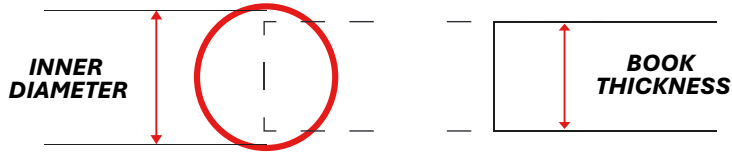
The punching pitch is the distance between the center of one hole and the center of the next, and it determines the number and distribution of holes along the edge of the document.











PITCH	HOLES		DIAGRAM		
	NUMBER	SHAPE			
5,00 mm 5:1"	A5	41	ROUND Ø 3,2 mm		FALLING INTO DISUSE
	A4	59	-----		
	A3	83	OVAL 3,2 x 4 mm		
6,00 mm	A5	34	ROUND Ø 3,5 mm		FALLING INTO DISUSE
	A4	49	-----		
	A3	69	OVAL 3,2 x 4,5 mm		
6,29 mm 0,2475"	A5	33	ROUND Ø 4 mm		RECOMMENDED
	A4	47	-----		
	A3	66	OVAL 4 x 5 mm		
6,35 mm 4:1"	A5	32	ROUND Ø 4 mm		COMMON
	A4	46	-----		
	A3	65	OVAL 4 x 5 mm		
8,47 mm 3:1"	A5	24	ROUND Ø 4 mm		BIG Ø
	A4	34	-----		
	A3	49	OVAL 5,5 x 6,5 mm		

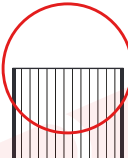
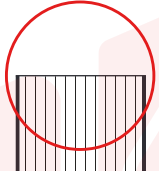
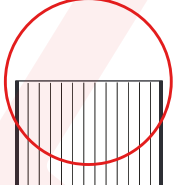
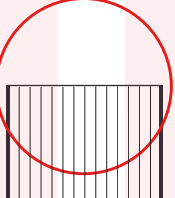
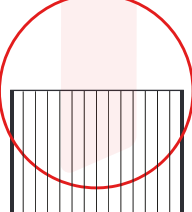


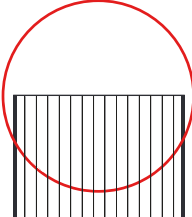
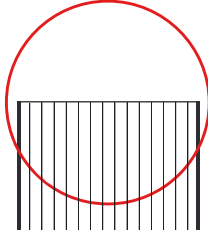
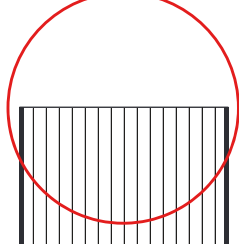
The oval hole punch is recommended over the round one, as it makes spiral insertion easier and allows the pages of the notebook to turn more smoothly.

# SPIRAL DIAMETERS



										
<b>INNER Ø</b>	6 mm	8 mm	10 mm	12 mm	14 mm	16 mm	18 mm	20 mm	23 mm	25 mm
<b>MAX. BOOK THICKNESS</b>	0,4 cm	0,6 cm	0,8 cm	1,1 cm	1,3 cm	1,4 cm	1,5 cm	1,6 cm	2,0 cm	2,2 cm
<b>MAX. No. OF SHEETS</b>	35	55	75	95	115	135	150	170	200	220

					
<b>INNER Ø</b>	28 mm	30 mm	32 mm	35 mm	38 mm
<b>MAX. BOOK THICKNESS</b>	2,5 cm	2,7 cm	2,9 cm	3,2 cm	3,5 cm
<b>MAX. No. OF SHEETS</b>	250	265	275	295	315

			
<b>INNER Ø</b>	42 mm	45 mm	50 mm
<b>MAX. BOOK THICKNESS</b>	3,7 cm	3,8 cm	4,4 cm
<b>MAX. No. OF SHEETS</b>	350	370	420

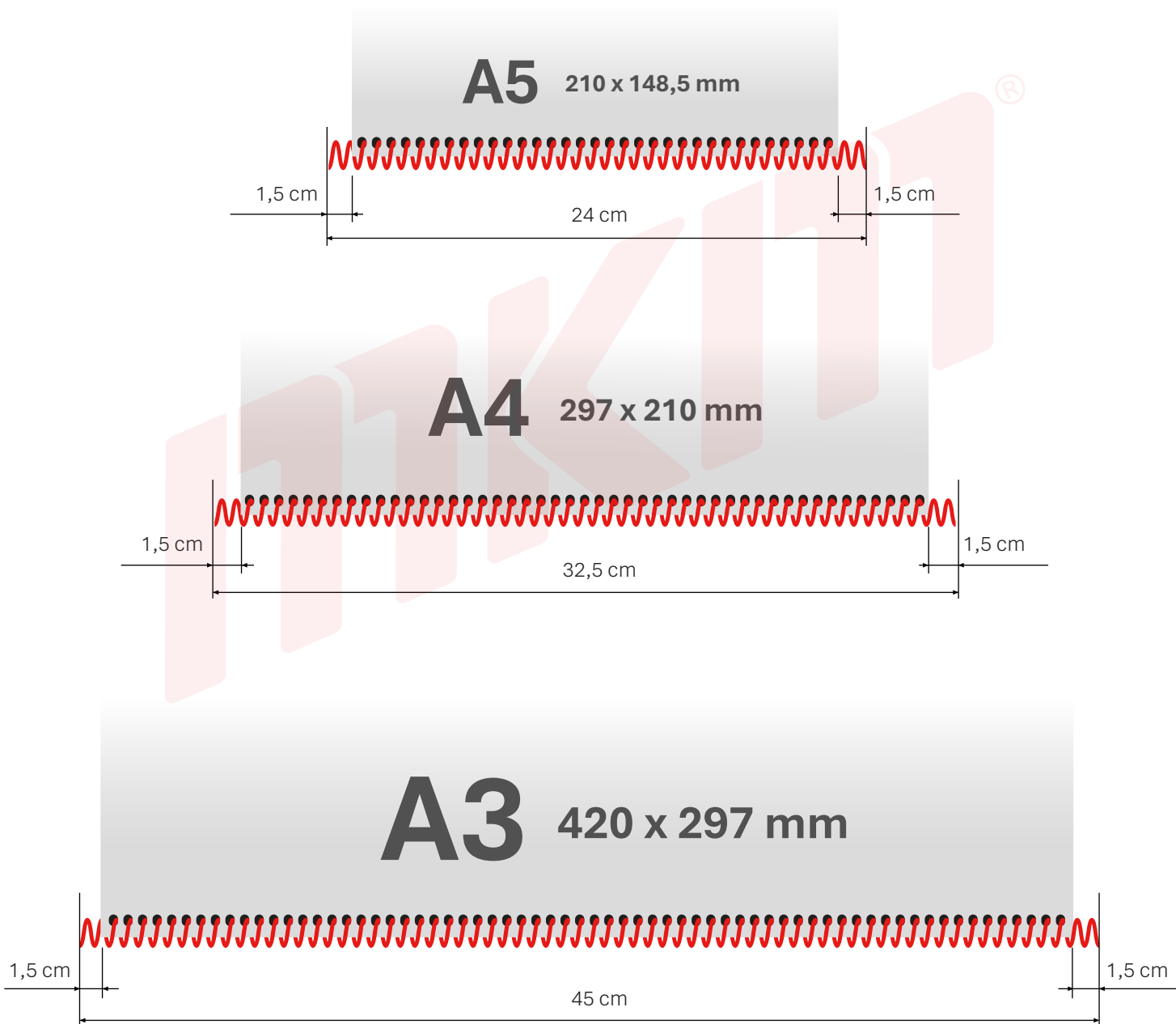


BINDING EXPERTS SINCE 1987

# SPIRAL LENGTH

To calculate the length of the coil, measure the side of the document to be bound and add 3 additional centimeters (1.5 cm of overhang on each end of the coil).

**Length: minimum 17 cm - maximum 104 cm**



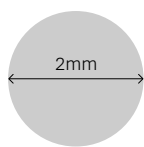
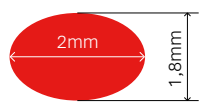
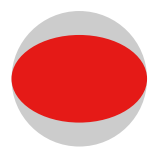


BINDING EXPERTS SINCE 1987

# TECHNICAL SPECIFICATIONS

FILAMENT THICKNESS (mm)	WEIGHT
1,80	10 Kg
2,00	10 Kg
2,20	10 Kg
2,40	10 Kg
2,60	10 Kg
2,80	10 Kg
3,00	10 Kg

## WHY ELLIPTICAL FILAMENT IS BETTER?

ROUND FILAMENT	ELLIPTICAL FILAMENT	COMPARISON
 <p>Less resistance and uniformity</p>	 <p>More resistance and uniformity</p>	 <p>Diference between round and elliptical</p>



**MKM**

**MKM Comercial S.L.**

P.I. Talluntxe I, c/A, nave 8

31110 NOÁIN (Navarra)

Tel. 948249944 - [mkm@mkm.es](mailto:mkm@mkm.es)



[www.mkm.es](http://www.mkm.es)



BINDING EXPERTS SINCE 1987

**PERFORATION PITCHES  
ULTIMATE GUIDE**  
SPIRAL PITCHES

SCALE 1:1,5	
LEGEND	
	Every 10 holes
	Override punch
	Do not override punch
	No necessary adjustment
	Might need adjustments
	Cut and adjust

PERFORATION PITCHES	HOLE SIZE / SHAPE*		No. HOLES		
	A5	A4	A5	A4	A3
5 mm (5:1")		3,2 x 4 mm	42	60	85
6 mm		3,5 x 4,5 mm	34	49	69
6,29 mm (0,2475")		4 x 5 mm	33	47	66
6,35 mm (4:1")		4 x 5 mm	32	46	65
8,47 mm (3:1")		5,5 x 6,5 mm	24	34	49

297 x 420 mm

A3

HOLE SHAPE	
PVC FILAMENT SHAPE	

